



Service Manual / Manuel de Service

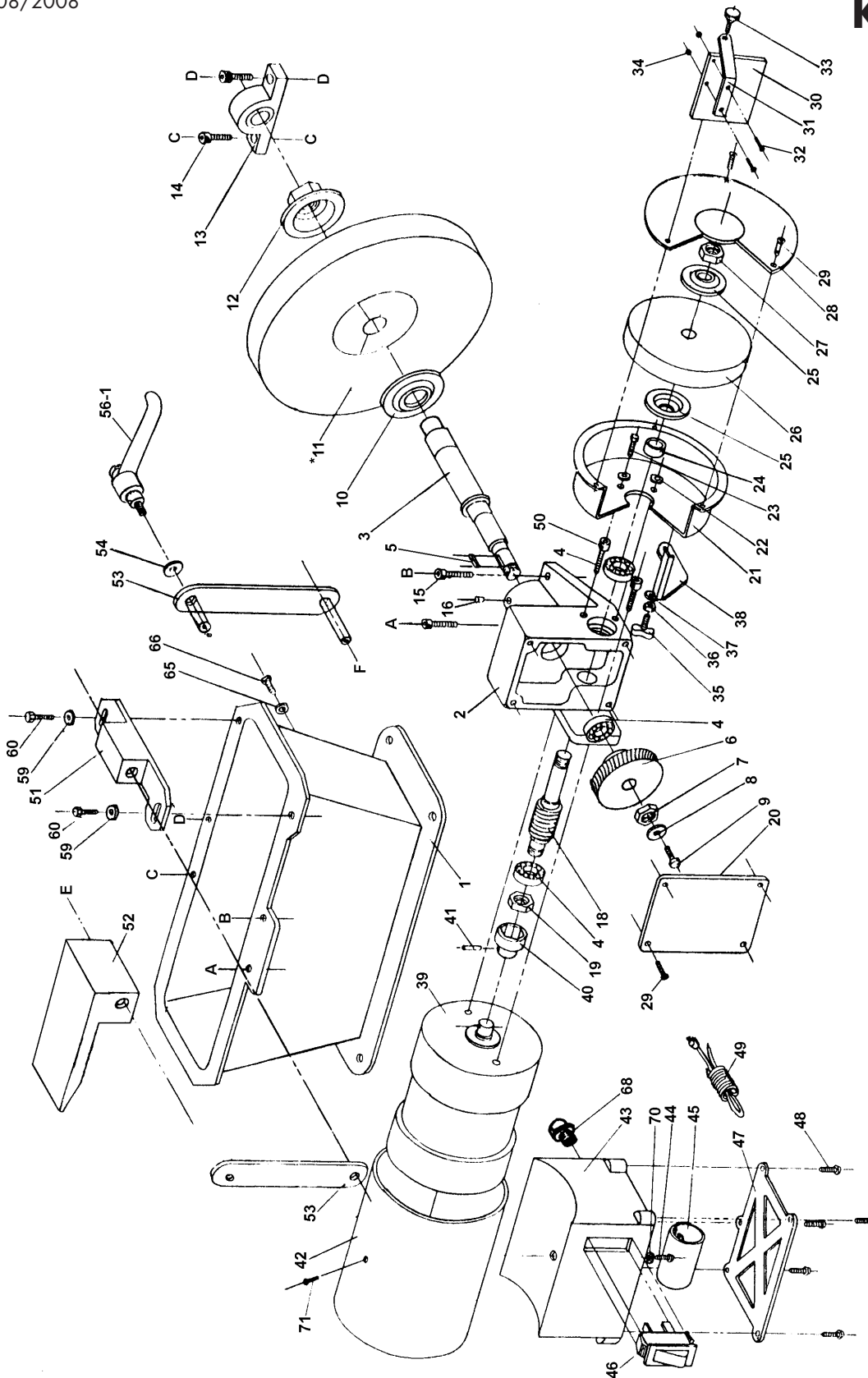
Wet/Dry Bench Grinder

Toûret D'Établi Sec/Avec de L'Eau



Revised/Revisé 08/2008

KC-10SG





Parts Pricing List / Liste de Prix des Pièces

KC-10SG

| Diag. | Order # Com. | English Description | Description Française | Qty./Qté. | Price/Prix |
|-------|--------------|-----------------------|--------------------------------|-----------|------------|
| 1 | 3410100010 | BASE | SOCLE | 1 | \$78.20 |
| 2 | 3410100020 | GEAR BOX | BOITE D'ENGRENAGE | 1 | \$52.73 |
| 3 | 3410100030 | SPINDLE SHAFT | ARBRE DE DIRECTION | 1 | \$50.43 |
| 4 | 3410100040 | BALL BEARING | ROULEMENT A BILLES | 3 | \$13.74 |
| 5 | 3410100050 | KEY | CLE DE RETENUE | 1 | \$1.84 |
| 6 | 3410100060 | HELICAL GEAR | ENGRENAGE HELICOIDALE | 1 | \$22.83 |
| 7 | 3410100070 | SPECIAL HEX. NUT | ECROU HEXAGONAL SPECIAL | 1 | \$2.24 |
| 8 | 3410100080 | WASHER | RONDELLE | 1 | \$1.55 |
| 9 | 3410100090 | HEX. BOLT | BOULON HEXAGONAL | 1 | \$1.50 |
| 10 | 3410100100 | FLANGE (INSIDE) | BRIDE DE LA MEULE (INTERIEUR) | 1 | \$6.15 |
| 11 | KM-002 | 10" GRINDING WHEEL | MEULE A AFFUTER 10" | 1 | - |
| 12 | 3410100120 | FLANGED NUT (OUTSIDE) | ECROU BRIDE DE LA MEULE (EXT.) | 1 | \$16.50 |
| 13 | 3410100130 | ARBOR BUSHING BRACKET | SUPPORT BAGUE DE L'ARBRE | 1 | \$14.89 |
| 14 | 3410100140 | CAP SCREW | BOULON A TETE CYLINDRIQUE | 2 | \$2.24 |
| 15 | 3410100150 | CAP SCREW | BOULON A TETE CYLINDRIQUE | 2 | \$2.24 |
| 16 | 3410100160 | OIL FEEDER | HUILIER | 1 | \$3.05 |
| 18 | 3410100180 | WORM SHAFT | TIGE A VIS SANS FIN | 1 | \$43.30 |
| 19 | 3410100190 | SPECIAL HEX. NUT | ECROU HEXAGONAL SPECIAL | 1 | \$2.24 |
| 20 | 3410100200 | GEAR BOX COVER | COUVERCLE DE LA BOITE D'ENGR. | 1 | \$7.30 |
| 21 | 3410100210 | WHEEL GUARD | PROTEGE MEULE | 1 | \$11.44 |
| 22 | 3410100220 | WASHER | RONDELLE | 2 | \$1.55 |
| 23 | 3410100230 | HEX. BOLT | BOULON HEXAGONAL | 2 | \$1.67 |
| 24 | 3410100240 | SPACER | ESPACEUR | 1 | \$3.39 |
| 25 | 3410100250 | FLANGE | BRIDE | 2 | \$3.39 |
| 26 | 3410100260 | GRINDING WHEEL | MEULE A AFFUTER | 1 | \$19.49 |
| 27 | 3410100270 | SPECIAL HEX. NUT | ECROU HEXAGONAL SPECIAL | 1 | \$2.24 |
| 28 | 3410100280 | WHEEL COVER | COUVERCLE DE ROUE | 1 | \$10.06 |
| 29 | 3410100290 | PAN HD. SCREW | VIS A TETE BOMBEE | 6 | \$1.67 |
| 30 | 3410100300 | EYESHIELD | PARE-ETINCELLE | 1 | \$3.39 |
| 31 | 3410100310 | EYESHIELD BRACKET | SUPPORT DU PARE-ETINCELLE | 1 | \$3.05 |
| 32 | 3410100320 | PAN HD. SCREW | VIS A TETE BOMBEE | 2 | \$1.55 |
| 33 | 3410100330 | LOCK KNOB | BOUTON DE SERRAGE | 1 | \$3.16 |
| 34 | 3410100340 | HEX. NUT | ECROU HEXAGONAL | 2 | \$1.55 |
| 35 | 3410100350 | WING KNOB | BOUTON PAPILLON | 1 | \$3.28 |
| 36 | 3410100360 | HEX. NUT | ECROU HEXAGONAL | 1 | \$1.55 |
| 37 | 3410100370 | WASHER | RONDELLE | 1 | \$1.61 |
| 38 | 3410100380 | ADJUSTABLE TOOL REST | SUPPORT PORTE-OUTIL | 1 | \$4.54 |
| 39 | 3410100390 | MOTOR | MOTEUR | 1 | \$136.85 |
| 40 | 3410100400 | HEX. JOINT ADAPTOR | ADAPTATEUR DE JONCTION HEX. | 1 | \$4.20 |
| 41 | 3410100410 | SPRING PIN | GOUPILLE A RESSORT | 1 | \$1.67 |
| 42 | 3410100420 | MOTOR SLEEVE | MANCHON DU MOTEUR | 1 | \$14.78 |
| 43 | 3410100430 | SWITCH BOX | BOITE D'INTERRUPTEUR | 1 | \$10.06 |
| 44 | 3410100440 | HEX. BOLT | BOULON HEXAGONAL | 1 | \$1.90 |
| 45 | 3410100450 | CAPACITOR | CONDENSATEUR | 1 | \$13.51 |
| 46 | 3410100460 | LIGHT SWITCH | INTERRUPTEUR A LUMIERE | 1 | \$10.29 |
| 47 | 3410100470 | SWITCH BOX PLATE | PLAQUE DE LA BOITE | 1 | \$4.43 |
| 48 | 3410100480 | TAPPING SCREW | VIS AUTOTARAUDEUSE | 5 | \$1.67 |

Pricing subject to change without prior notice. / Prix sujet à changement sans préavis.



Parts Pricing List / Liste de Prix des Pièces

KC-10SG

| Diag. | Order # Com. | English Description | Description Française | Qty./Qté. | Price/Prix |
|-------|--------------|------------------------------|-----------------------------------|-----------|------------|
| 49 | 3410100490 | POWER CORD | CORDON D'ALIMENTATION | 1 | \$17.19 |
| 50 | 3410100500 | CAP SCREW | BOULON A TETE CYLINDRIQUE | 2 | \$1.90 |
| 51 | 3410100510 | TABLE BRACKET | SUPPORT DE LA TABLE | 1 | \$10.29 |
| 52 | 3410100520 | TOOL REST TABLE | TABLE SUPPORT DE L'OUTIL | 1 | \$14.78 |
| 53 | 3410100530 | TABLE SUPPORT BRACKET | SUPPORT DE LA TABLE | 2 | \$8.45 |
| 54 | 3410100540 | WASHER | RONDELLE | 2 | \$1.55 |
| 56-1 | 3410100561 | COMP. ADJUSTING HANDLE ASS'Y | POIGNEE D'AJUSTEMENT COMP. (ASS.) | 1 | \$9.60 |
| 59 | 3410100590 | WASHER | RONDELLE | 2 | \$1.55 |
| 60 | 3410100600 | HEX. BOLT | BOULON HEXAGONAL | 2 | \$1.73 |
| 65 | 3410100650 | RUBBER SEAL | JOINT EN CAOUTCHOUC | 1 | \$2.01 |
| 66 | 3410100660 | HEX. BOLT | BOULON HEXAGONAL | 1 | \$1.78 |
| 68 | 3410100680 | STRAIN RELIEF | ATTACHE FIL | 2 | \$3.39 |
| 70 | 3410100700 | WASHER | RONDELLE | 1 | \$1.67 |
| 71 | 3410100710 | ROUND HD. SCREW | VIS A TETE RONDE | 2 | \$1.67 |
| | 341010MBIL | ENGLISH MANUAL KC-10SG | MANUEL ANGLAIS KC-10SG | 1 | \$15.00 |